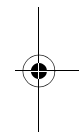
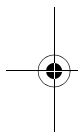


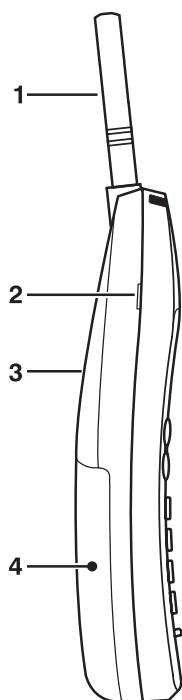
DM100HS/DMS100HS

Accessory Handset

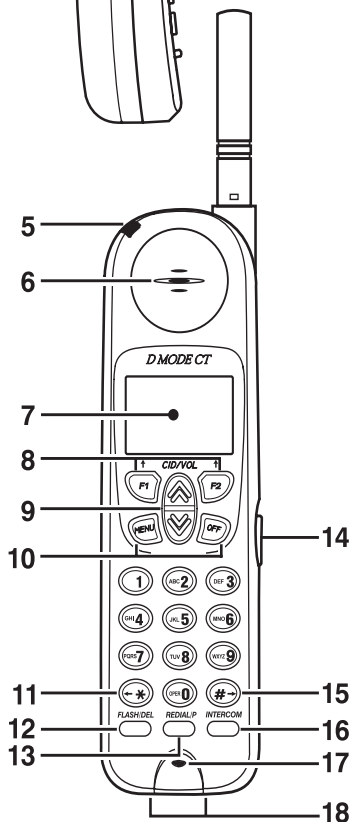


User Guide

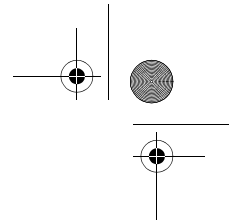




- 1 Antenna
- 2 Beltclip Hole
- 3 Speaker for Ringer
- 4 Handset Battery Compartment



- 5 New Message LED
- 6 Handset Earpiece
- 7 LCD Display
- 8 Function keys
- 9 Up/Down keys
- 10 Menu and OFF keys
- 11 ←* scroll left
- 12 Flash/Delete key
- 13 Redial/Pause key
- 14 Headset jack
- 15 # → scroll right
- 16 Intercom
- 17 Handset Microphone
- 18 Handset Charging Contacts



Introduction

Congratulations on your purchase of the Waxess Dual Mode Communications Terminal DM100HS/DMS100HS optional handset and charging cradle. This additional handset is for use with the Dual Mode Communication Terminal, DM1000/DMS1000. Each model within this series will support up to four handsets. You can place a fully featured cordless handset anywhere in your home as long as AC power is available for the handset charging cradle.

Note: This additional handset will not operate unless it has been registered to the base unit.

This user guide describes how to set up and connect your new handset; for instructions on operating your new handset, refer to the user guide supplied with your base unit.

• INCLUDED ITEMS

- Cordless Handset
- AC Adaptor
(Model number RGD4109500)
- Charging Cradle
- Rechargeable Battery
Ni-Cd, 3.6V, 1000mA
- Belt Clip
- User Guide

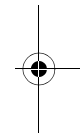
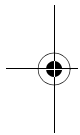
• CONTACT INFORMATION

<http://www.waxess.com>

Waxess, Inc.

34 Executive Park, Suite 250

Irvine, California 92614

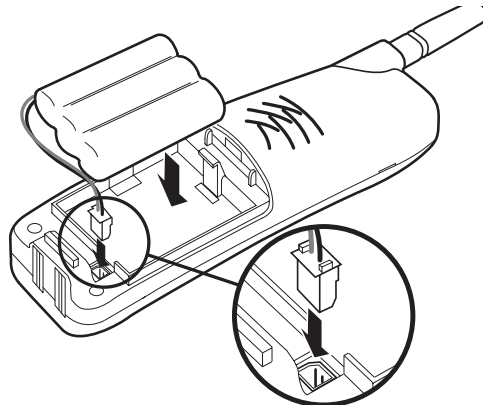


1 Get ready

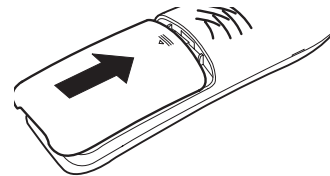
• INSTALL THE BATTERY

- 1 Open the cover.
- 2 Verify that the connector is properly aligned with the jack and connect the battery.

Note: The connector is designed to easily fit the jack in only one direction. Do not use excessive force.

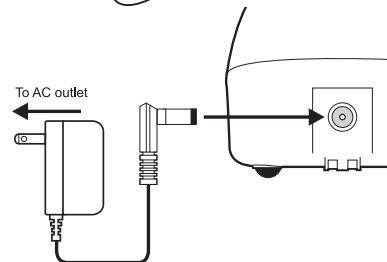


- 3 Close the cover.



• CHARGE THE BATTERY

- 1 Connect the AC adaptor to the DC 9V IN jack on the charging cradle and to a standard 120V AC wall outlet.
- 2 Set the charging cradle on a desk or table, then set the handset in the cradle with the keypad facing forward.



Note: Use only the AC Adaptor supplied with the handset in this package. Do not use any other AC Adaptor.

Charge the battery frequently. Leaving the battery uncharged for a prolonged period can adversely affect battery charging capacity. If this happens, replace the battery.

- 3 Allow the battery to charge for 12–15 hours.



A power indicator in the upper right corner of the LCD shows how much battery life remains.



Full charge



Low charge



2 Get set

• REGISTER

Note: Verify that you are near the DM 1000 series base (purchased separately).

- 1 On the Handset, press **MENU**, scroll to **Setup** and press **Select**.
- 2 Scroll to **Register** and press **Select**.

The display shows "Press and hold Intercom on base, then OK."

- 3 Press and hold **Intercom** (at least two seconds) on the Base until you hear a beep.
- 4 Then, press **OK** on the Handset.

Registration takes only a few seconds and when complete, you hear a tone and this message appears on the LCD screen.

After a few minutes, time and date automatically synchronizes with the existing base and handsets. Or, see the user guide included with your base unit to set time and date manually.

Registration
is
completed

• DEREGISTER

If you need to deregister the handset from the base, follow these steps:

1 Press **MENU**, scroll to **Setup** and press **Select**.

2 Scroll to **Deregister** and press **Select**.

A list of registered Cordless Handsets appears.

Scroll to the Handset you want to deregister and press **Select**.

OR

Press **Exit** to return to the previous screen without deregistering.

The confirmation message "**Delete registration?**" appears.

3 Press **Yes** to confirm.

Or

Press **No** to return to the previous screen.

When deregistration is complete, the confirmation message "**Handset 1 is deregistered**" appears.

3 GO!

Now that your new handset is registered, it can perform all the same functions as the handsets originally included with your phone. With your new handset, you can

- Transfer calls between handsets
- Use two handsets as walkie-talkies with the intercom feature
- Use all handsets to hold a conference call

...and much more. See the user guide that came with your base unit for complete instructions on operating your new expanded digital phone.

4 I.C. Notice

TERMINAL EQUIPMENT

Notice: This equipment meets the applicable Industry Canada Terminal Equipment Technical Specifications. This is confirmed by the registration number. The abbreviation, IC, before the registration number signifies that registration was performed based on a Declaration of Conformity indicating that Industry Canada technical specifications were met. It does not imply that Industry Canada approved the equipment.

Notice: The Ringer Equivalence Number (REN) for this terminal equipment is marked on the equipment itself. The REN assigned to each terminal equipment provides an indication of the maximum number of terminals allowed

to be connected to a telephone interface. The termination on an interface may consist of any combination of devices subject only to the requirement that the sum of the Ringer Equivalence Numbers of all the devices does not exceed five.

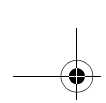
RADIO EQUIPMENT

The term "IC" before the radio certification number only signifies that Industry Canada technical specifications were met.

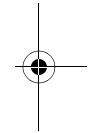
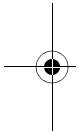
Operation is subject to the following two conditions: (1) this device may not cause interference, and (2) this device must accept any interference, including interference that may cause undesired operation of the device. "Privacy of communications may not be ensured when using this telephone."

5 Specifications

Standby Battery Time	5 days
Talk Time	7-8 hours
Page Any Key Cancel	Yes
Phone book	50
Phone Number	24 digit
Name	16 characters
Sorting	Alphabetical order
Distinctive Ring	Yes
Speed Dial	10 (0-9)
Caller ID Memory	50
Phone Number	16 digits
Name	16 characters
Sorting	Historical
Redial Memory	5
Redial Digits	32
Ringer Tone	3 Ringers and 3 Melodies
Ringer Volume	4 Steps (Off/Low/Mid/High)
Ear Speaker Volume	4 Steps (Low/Mid/High/Max)
Hearing Aid Compatible	For New FCC (Low/Mid/High/Max)
Pulse Dial	10 PPS
Tone Dial	100 msec, continuous
Chain Dialing	Yes
Language	English/Spanish/French/Portuguese
New Message LED	VMWI, Red
LCD Backlight	Yes, Orange
Key Backlight	Yes, Orange
Software Function Keys	Yes, S1 & S2, Green
Headset Jack	Yes



Thank you for buying a Waxess product!



HD1000USA00

Copyright © 2005 Waxess

